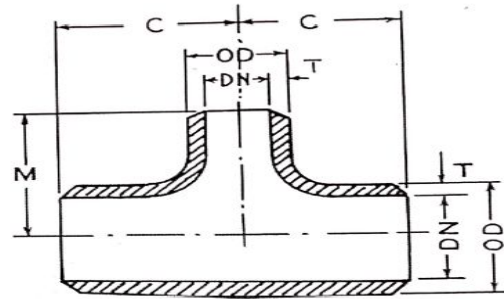


Te nº 1100.



Te de redução nº 1101.

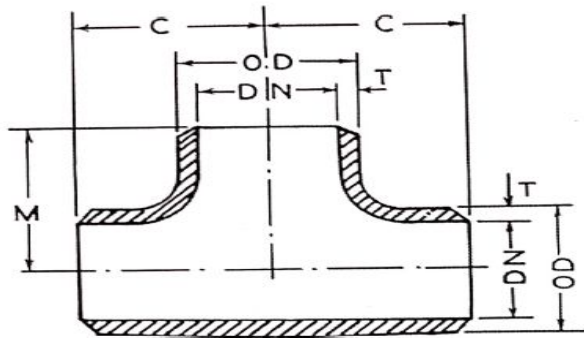
## TEE E TEE DE REDUÇÃO AÇO CARBONO

PVV

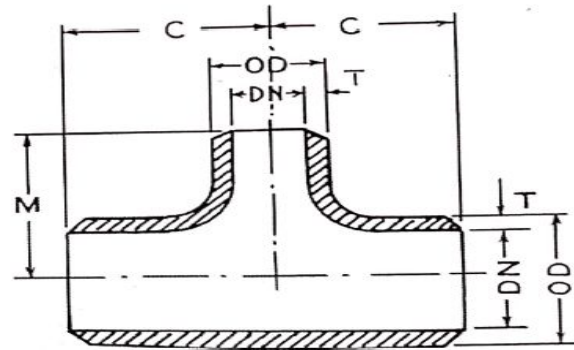
FABRICANTE DE CONEXÕES AÇO CARBONO

(11) 4114-3610

Diâmetro Nominal		Do centro a Face		Peso Aprox.		Diâmetro Nominal		Do centro a Face		Peso Aprox.	
Linha	Dev.	C	M	Std.W	X-S	Linha	Dev.	C	M	Std.W	X-S
Pol.	Pol.	Pol.	Pol.	Kg	Kg	Pol.	Pol.	Pol.	Pol.	Kg	Kg
		mm	mm					mm	mm		
1/2"	1/2"	1	1			2"	2"	2 1/2	2 1/2		
		25.4	25.4	0.159	0.204			63.5	63.5	1.89	1.87
1/2"	3/8"	1	1			2"	1 1/2"	2 1/2	2 3/8		
		25.4	25.4	0.113	0.127			63.5	60.32	1.89	1.87
1/2"	1/4"	1	1			2"	1 1/4"	2 1/2	2 1/4		
		25.4	25.4	0.113	0.127			63.5	57.15	1.89	1.87
3/4"	3/4"	1 1/8	1 1/8			2"	1"	2 1/2	2		
		28.58	28.58	0.204	0.272			63.5	50.8	1.89	1.87
3/4"	1/2"	1 1/8	1 1/8			2"	3/4"	2 1/2	1 3/4		
		28.58	28.58	0.227	0.227			63.5	44.45	1.89	1.87
3/4"	3/8"	1 1/8	1 1/8			2 1/2"	2 1/2"	3	3		
		28.58	28.58	0.227	0.227			76.2	76.2	2.68	3.08
1"	1"	1 1/2	1 1/2			2 1/2"	2"	3	2 3/4		
		38.1	38.1	0.286	0.354			76.2	69.85	2.68	3.08
1"	3/4"	1 1/2	1 1/2			2 1/2"	1 1/2"	3	2 5/8		
		38.1	38.1	0.263	0.331			76.2	66.68	3.08	3.08
1"	1/2"	1 1/2	1 1/2			2 1/2"	1 1/4"	3	2 1/2		
		38.1	38.1	0.258	0.322			76.2	63.5	3.08	3.08
1"	3/8"	1 1/2	1 1/2			2 1/2"	1"	3	2 1/4		
		38.1	38.1	0.254	0.31			76.2	57.15	3.08	3.08
1 1/4"	1 1/4"	1 7/8	1 7/8			3"	3"	3 3/8	3 3/8		
		47.62	47.62	0.526	0.653			85.72	85.72	3.82	4.50
1 1/4"	1"	1 7/8	1 7/8			3"	2 1/2"	3 3/8	3 1/4		
		47.62	47.62	0.485	0.603			85.72	82.55	3.82	4.50
1 1/4"	3/4"	1 7/8	1 7/8			3"	2"	3 3/8	3		
		47.62	47.62	0.476	0.590			85.72	76.20	3.82	4.50
1 1/4"	1/2"	1 7/8	1 7/8			3"	1 1/2"	3 3/8	2 7/8		
		47.62	47.62	0.476	0.576			85.72	73.02	3.82	4.50
1 1/2"	1 1/2"	2 1/4	2 1/4			3"	1 1/4"	3 3/8	2 3/4		
		57.15	57.15	0.771	0.962			85.72	69.85	3.82	4.50
1 1/2"	1 1/4"	2 1/4	2 1/4			3"	1"	3 3/8	2 5/8		
		57.15	57.15	0.712	0.907			85.72	66.62	3.82	4.50
1 1/2"	1"	2 1/4	2 1/4			3 1/2"	3 1/2"	3 3/4	3 3/4		
		57.15	57.15	0.703	0.875			95.25	95.25	5.17	6.17
1 1/2"	3/4"	2 1/4	2 1/4			3 1/2"	3"	3 3/4	3 5/8		
		57.15	57.15	0.689	0.857			95.25	92.08	5.17	6.17
1 1/2"	1/2"	2 1/4	2 1/4			3 1/2"	2 1/2"	3 3/4	3 1/2		
		57.15	57.15	0.676	0.844			95.25	88.9	5.17	6.17



Te nº 1100.



Te de redução nº 1101.

## TEE E TEE DE REDUÇÃO AÇO CARBONO

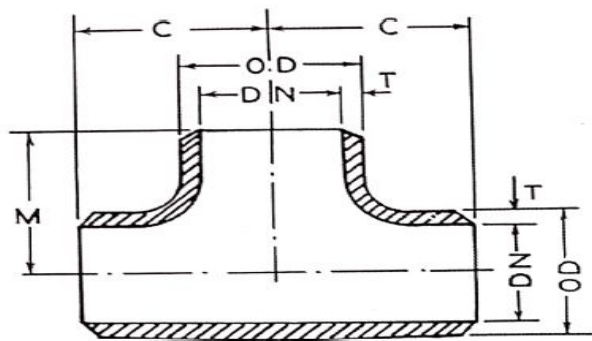
**PVV**

FABRICANTE DE CONEXÕES AÇO CARBONO

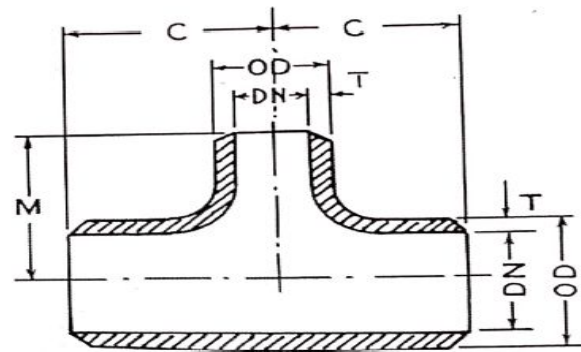
(11) 4114-3610

Diâmetro	Nominal	Do centr. a Face		Peso	Aprox.	Diâmetro	Nominal	Do centro a Face		Peso	Aprox.
Linha	Dev.	C	M	Std.W	X-S	Linha	Dev.	C	M	Std.W	X-S
Pol.	Pol.	Pol.	Pol.	Kg	Kg	Pol.	Pol.	Pol.	Pol.	Kg	Kg
		mm	mm					mm	mm		
3 1/2"	2"	3 3/4	3 1/4			6"	2 1/2"	5 5/8	4 3/4		
		95.25	82.55	5.17	6.17			142.9	120.65	14.9	19.3
3 1/2"	1 1/2"	3 3/4	3 1/8			8"	8"	7	7		
		95.25	79.38	5.17	6.17			1770.8	177.8	27.7	34.5
4"	4"	4 1/8	4 1/8			8"	6"	7	6 5/8		
		104.78	104 7/9	5.99	8.44			177.8	168.3	27.7	34.5
4"	3 1/2"	4 1/8	4			8"	5"	7	6 3/4		
		104.78	101.6	5.99	8.44			177.8	171.9	27.7	34.5
4"	3"	4 1/8	3 7/8			8"	4"	7	6 1/8		
		104.78	98.42	5.99	8.44			177.8	155.6	27.7	34.5
4"	2 1/2"	4 1/8	3 3/4			8"	3 1/2"	7	6		
		104.78	95.25	5.99	8.44			177.8	152.4	27.7	34.5
4"	2"	4 1/8	3 1/2			8"	3"	7	6		
		104.78	88.9	5.99	8.44			177.8	152.4	27.70	34.5
4"	1 1/2"	4 1/8	3 3/8			10"	10"	8 1/2	8 1/2		
		104.78	85.2	5.99	8.39			215.9	215.9	41.3	58.5
5"	5"	4 7/8	4 7/8			10"	8"	8 1/2	8		
		123.83	123.89	9.93	8.39			215.9	203.2	39.9	52.6
5"	4"	4 7/8	4 5/8			10"	6"	8 1/2	7 5/8		
		123.83	117.48	9.93	12.9			215.9	193.7	39.9	52.6
5"	3 1/2"	4 7/8	4 4/8			10"	5"	8 1/2	7 1/2		
		123.83	114.3	9.93	12.9			215.9	190.5	39.9	52.60
5"	3"	4 7/8	4 3/8			10"	4"	8 1/2	7 1/4		
		123.83	111.13	9.93	12.9			215.9	184.2	39.9	52.60
5"	2 1/2"	4 7/8	4 1/4			12"	12"	10	10		
		123.83	107.95	9.93	12.9			254	254	66.7	84.80

5"	2"	4 7/8	4 1/8			12"	10"	10	9 1/2		
		123.83	104.78	9.93	12.9			254	241.3	66.7	84.80
6"	6"	5 5/8	5 5/8			12"	8"	10	9		
		142.9	142.9	16.5	19.3			254	228.6	64.9	81.60
6"	5"	5 5/8	5 3/8			12"	6"	10	8 5/8		
		142.9	136.5	16.5	19.3			254	219.1	64.9	81.60
6"	4"	5 5/8	5 1/8			12"	5"	10	8 1/2		
		142.9	130.2	14.9	19.3			254	215.9	64.9	81.6
6"	3 1/2"	5 5/8	5								
		142.9	127	14.9	19.3						
6"	3"	5 5/8	4 7/8								
		142.9	123.83	14.9	19.3						



Te nº 1100.



Te de redução nº 1101.

## TEE E TEE DE REDUÇÃO AÇO CARBONO

**PVV**

FABRICANTE DE CONEXÕES AÇO CARBONO

(11) 4114-3610

Diâmetro	Nominal	Do centro	a Face	Peso	Aprox.	Diâmetro	Nominal	Do centro	a Face	Peso	Aprox.
Linha	Dev.	C	M	Std.W	X-S	Linha	Dev.	C	M	Std.W	X-S
Pol.	Pol.	Pol.	Pol.	Kg	Kg	Pol.	Pol.	Pol.	Pol.	Kg	Kg
		mm	mm					mm	mm		
14"	14"	11	11			20"	16"	15	14		
		279.4	279.4	102	127			381	355.6	228	228
14"	12"	11	10 5/8			20"	14"	15	14		
		279.4	269.9	102	127			381	355.6	224	224
14"	10"	4 1/8	10 1/8			20"	12"	15	13 5/8		
		279.4	257.2	98.4	122			381	346.1	224	224
14"	8"	4 1/8	9 3/4			20"	10"	15	13 1/8		
		279.4	247.6	98.4	122			381	333.4	219	219
14"	6"	4 1/8	9 3/8			20"	8"	15	12 3/4		
		279.4	247.6	98.4	122			381	323.8	219	219
16"	16"	12	12			22"	22"	16 1/2	16 1/2		
		304.8	304.8	110	167			419.1	419.1	252	368
16"	14"	12	12			22"	20"	16 1/2	16		
		304.8	304.8	110	167			419.1	406.4	252	368
16"	12"	12	11 5/8			22"	18"	16 1/2	15 1/2		
		304.8	295.3	110	162			419.1	393.7	239	304
16"	10"	12	11 1/8			22"	16"	16 1/2	15		
		304.8	282.6	106	160			419.1	381	239	304
16"	8"	12	10 3/4			22"	14"	16 1/2	15		
		304.8	273.0	106	160			419.1	381	202	234
16"	6"	12	10 3/8			22"	12"	16 1/2	14 5/8		
		304.8	263.5	106	160			419.1	371.5	202	234
18"	18"	13 1/2	13 1/2			22"	10"	16 1/2	14 1/2		
		342.9	342.9	151	193			419.1	358.8	202	234
18"	16"	13 1/2	13			24"	24"	17	17		
		342.9	330.2	151	193			431.8	431.8	347	423

18"	14"	13 1/2	13			24"	20"	17	17		
		342.9	330.2	151	193			431.8	431.8	272	309
18"	12"	13 1/2	12 5/8			24"	18"	17	17		
		342.9	320.7	151	154			431.8	431.8	272	309
18"	10"	13 1/2	12 1/8			24"	16"	17	17		
		342.9	308	145	146			431.8	431.8	229	231
18"	8"	13 1/2	11 3/4			24"	14"	17	17		
		342.9	298.5	145	146			431.8	431.8	229	231
20"	20"	15	15			24"	12"	17	17		
		381	381	228	264			431.8	431.8	229	231
20"	18"	15	14 1/2			24"	10"	17	17		
		381	368.3	228	264			431.8	431.8	192	231